

**WATERBOX**<sup>®</sup>  
A Q U A R I U M S

[WWW.WATERBOXAQUARIUMS.COM](http://WWW.WATERBOXAQUARIUMS.COM)

WB-BL01-7301

**WATERBOX**<sup>®</sup>  
A Q U A R I U M S



## **PRODUCT MANUAL**

Reef Ready Aquarium  
with Glass Sump

# CONTENTS

## MY WATERBOX

Tank Model \_\_\_\_\_ Tank Lot # \_\_\_\_\_

Cabinet Model \_\_\_\_\_ Cabinet Lot # \_\_\_\_\_

Purchase Date \_\_\_\_\_

Sellers \_\_\_\_\_

Address \_\_\_\_\_

TEL/Mobile \_\_\_\_\_

### ◀ **MARINE X** -----

- 5 | MARINE X 60.2
- 6 | MARINE X 90.3
- 7 | MARINE X 110.4

### ◀ **MX PENINSULA** -----

- 9 | MX Peninsula 3620
- 10 | MX Peninsula 4820

### ◀ **FRAG** -----

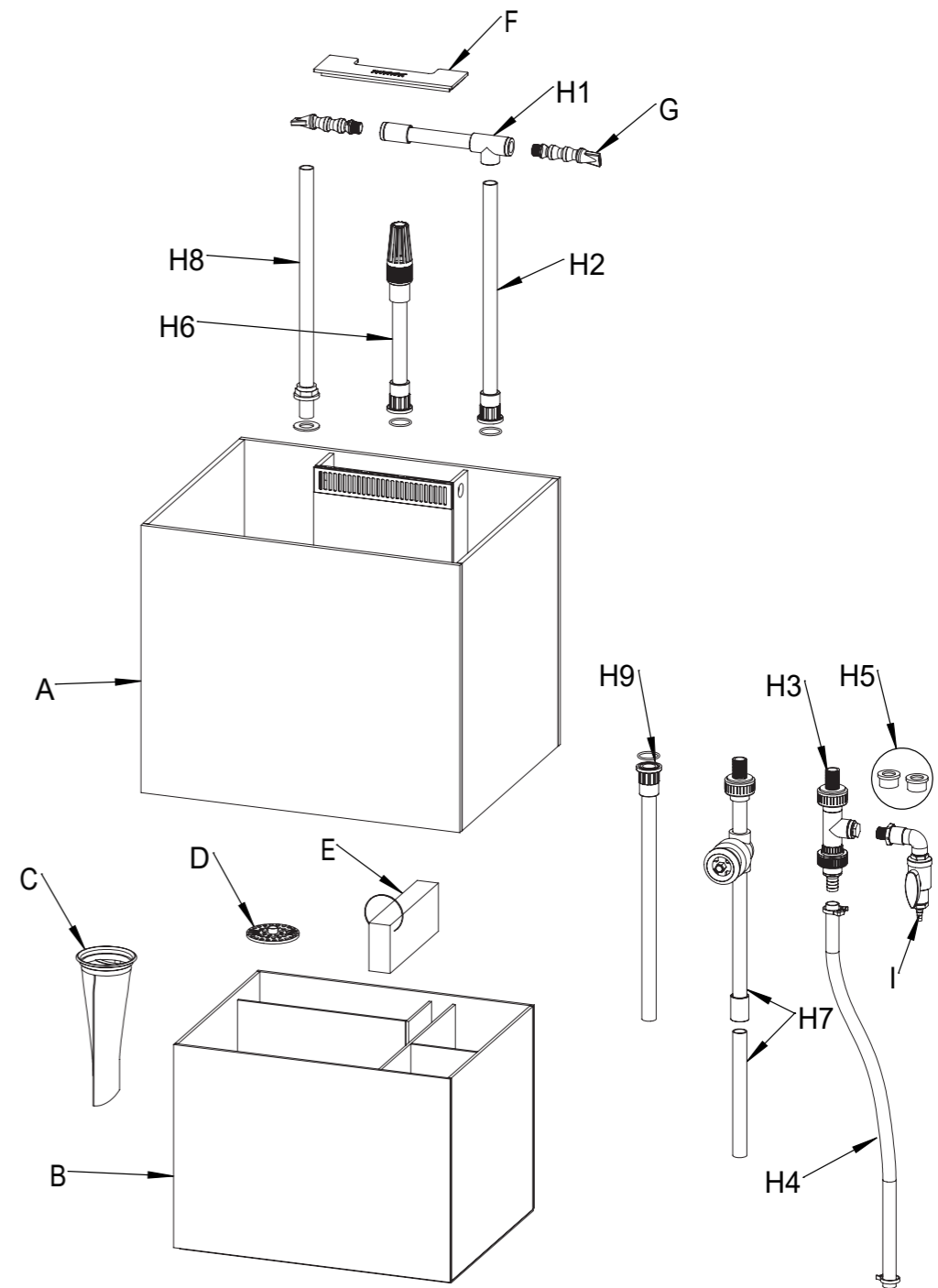
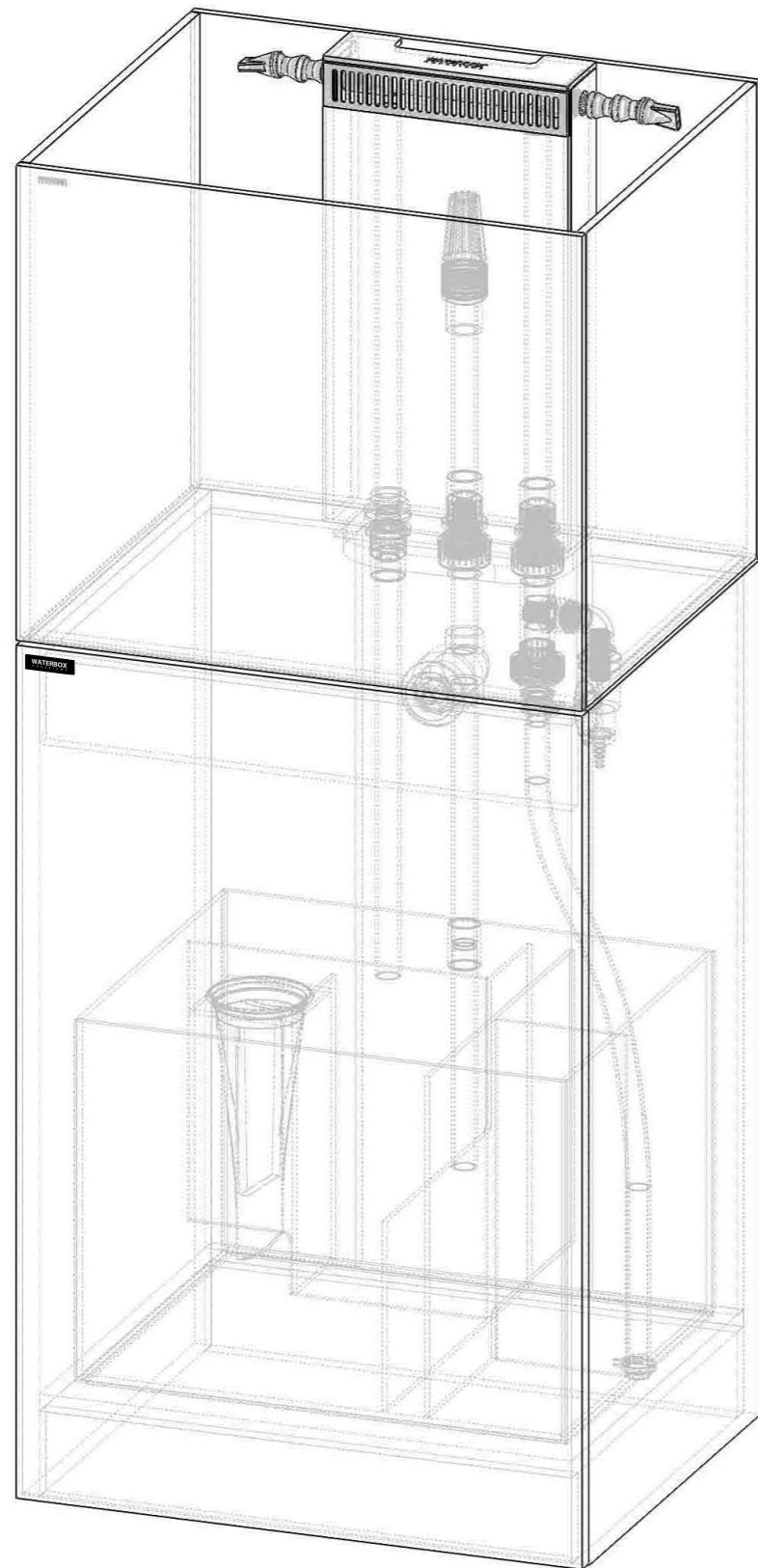
- 13 | FRAG 85.3
- 14 | FRAG 105.4
- 15 | FRAG 145.5
- 16 | FRAG 165.6

### ◀ **REEF** -----

- 19 | REEF 100.3
- 20 | REEF 130.4
- 21 | REEF 180.5
- 22 | REEF 220.6

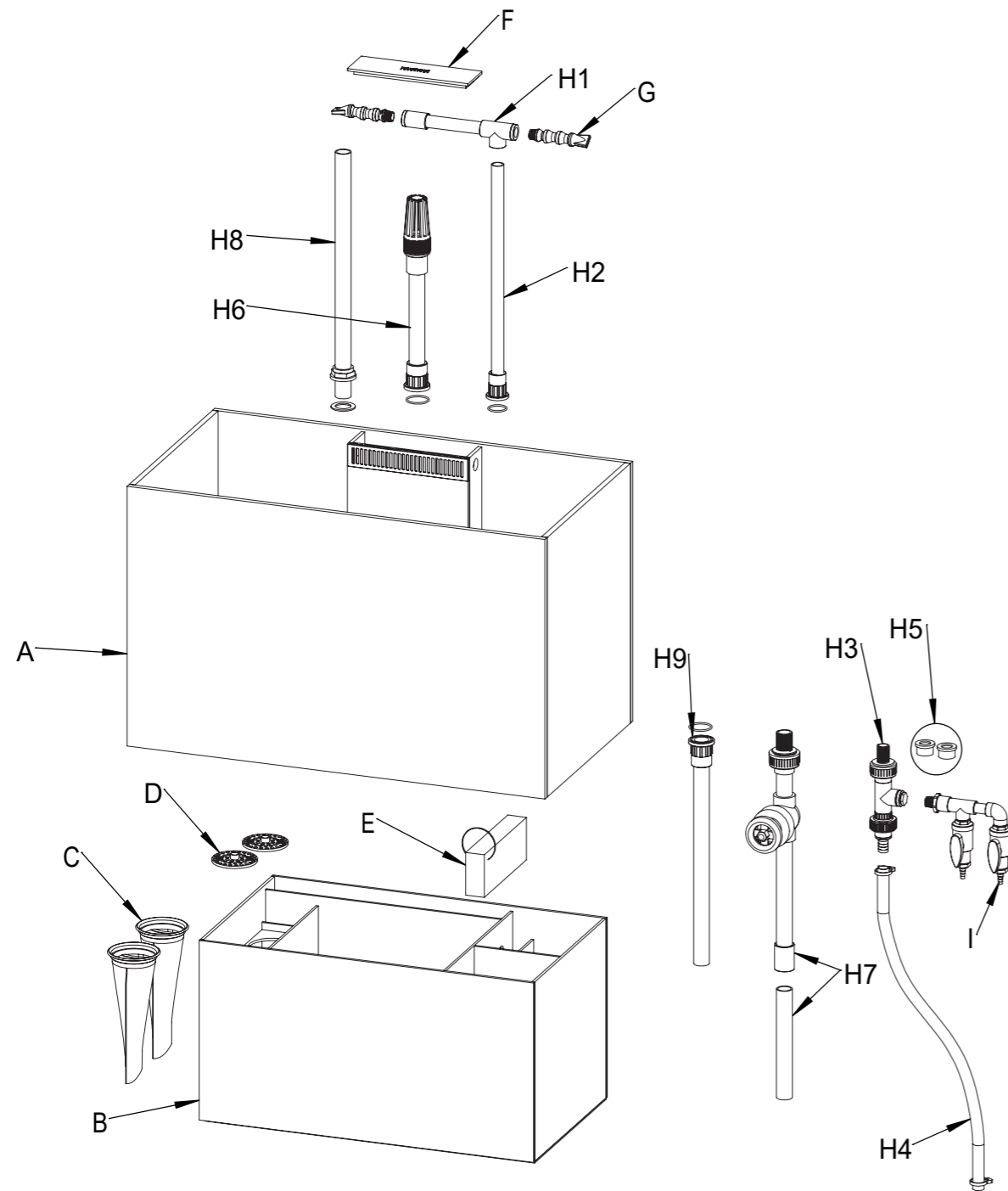
Waterbox Aquariums USA  
320.W.Sabal Palm Place  
Longwood, FL32779  
www.waterboxaquariums.com

USA: +1800-674-2608  
Canada: +1 437 888 2612  
Europe: +31 20 808 3685  
UK: +44 1784 614175



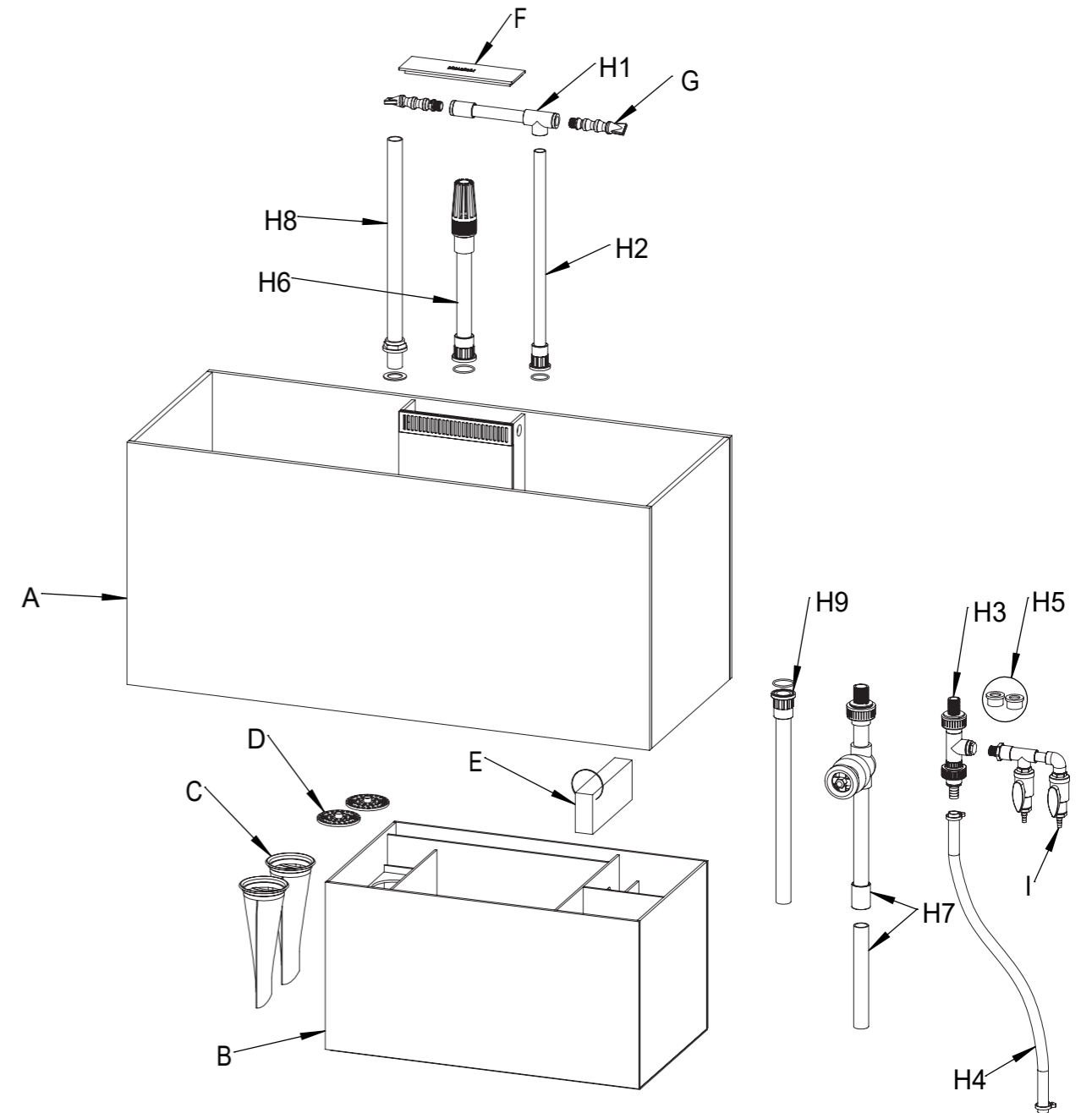
ITEM	QTY	KIT	CODE
A	1	Tank M. X 60.2	S02GT02
B	1	Sump M. X 60.2	S02SP02
C	1	FELT 225 Micron -4"	850000451865
D	1	Filter Sock Silencer 4"	850000451933
E	1	Filter Sponge 408*90	S12FS24
F	1	LID-2608-C	810039390320
G	2	NZ 15-FRX	810039391174
I	1	Manifold 15 (OPTIONAL)	810039391969

ITEM	QTY	DESCRIPTION	KIT	CODE
H 1	1	Outlet assembly A07	Plumbing Kit for M. X 60.2	S22PK02
H 2	1	Outlet assembly A16		
H 3	1	Outlet assembly B22		
H 4	1	18/24 Black PVC Flexible Hose		
H 5	1	Union connector kit (DN20)		
H 6	1	Main drain standpipe H08		
H 7	1	Main drain sump side J13		
H 8	1	Emergency overflow standpipe K08		
H 9	1	Emergency overflow sump side L13		



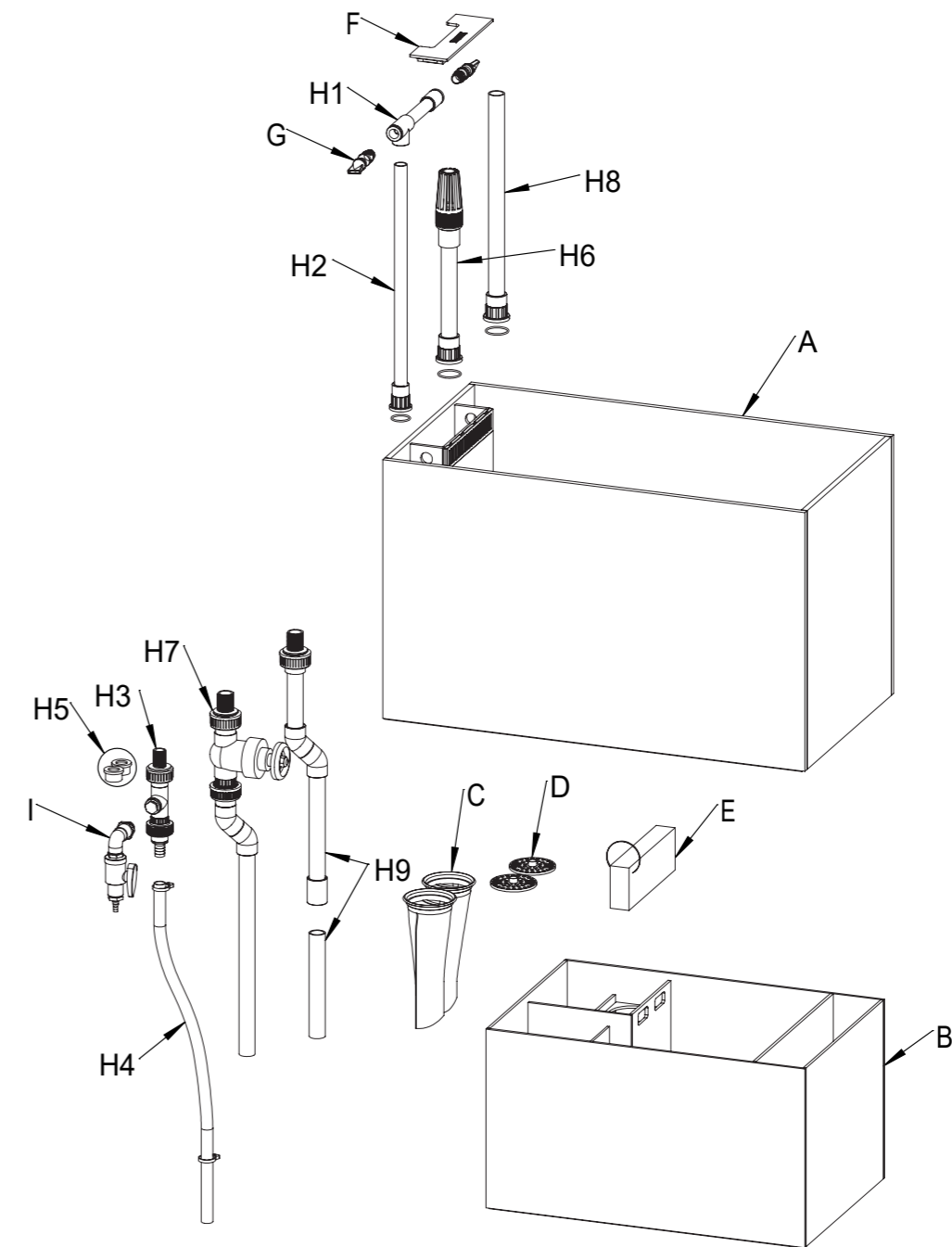
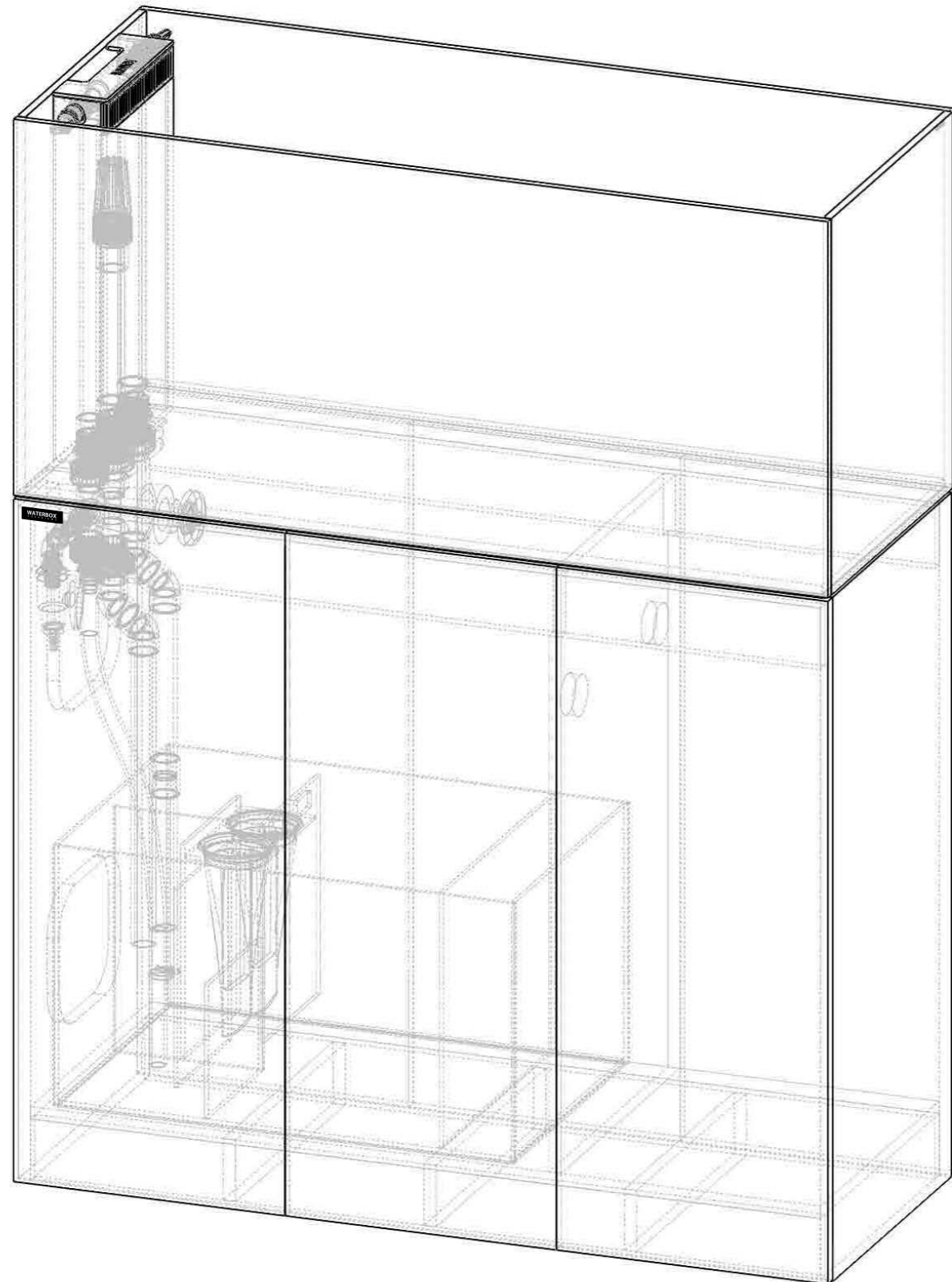
ITEM	QTY	KIT	CODE
A	1	Tank M. X 90.3	S02GT03
B	1	Sump M. X 90.3/ M. X 110.4	S02SP03
C	2	FELT 225 Micron -4"	850000451865
D	2	Filter Sock Silencer 4"	850000451933
E	1	Filter Sponge 218*90	S12FS18
F	1	LID-2608	810039390313
G	2	NZ 15-FRX	810039391174
I	1	Manifold 15D (OPTIONAL)	810039391198

ITEM	QTY	DESCRIPTION	KIT	CODE
H 1	1	Outlet assembly A07	Plumbing Kit for M. X 90.3 & 110.4	S22PK03
H 2	1	Outlet assembly B04		
H 3	1	Outlet assembly B22		
H 4	1	18/24 Black PVC Flexible Hose		
H 5	1	Union connector kit (DN20)		
H 6	1	Main drain standpipe H04		
H 7	1	Main drain sump side J14		
H 8	1	Emergency overflow standpipe K09		
H 9	1	Emergency overflow sump side L14		



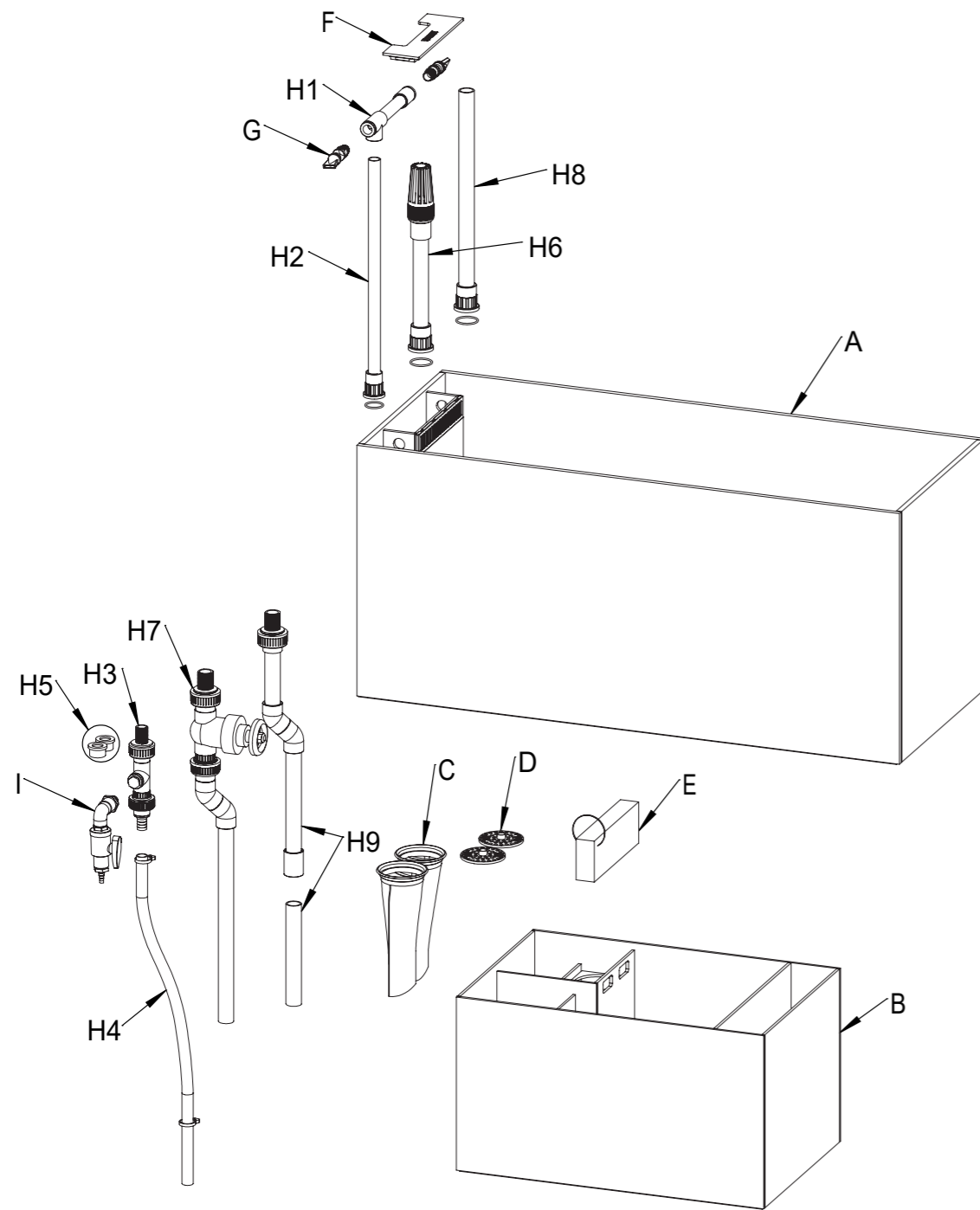
ITEM	QTY	KIT	CODE
A	1	Tank M. X 110.4	S02GT04
B	1	Sump M. X 90.3/ M. X 110.4	S02SP03
C	2	FELT 225 Micron -4"	850000451865
D	2	Filter Sock Silencer 4"	850000451933
E	1	Filter Sponge 218*90	S12FS18
F	1	LID-2608	810039390313
G	2	NZ 15-FRX	810039391174
I	1	Manifold 15D (OPTIONAL)	810039391198

ITEM	QTY	DESCRIPTION	KIT	CODE
H 1	1	Outlet assembly A07	Plumbing Kit for M. X 90.3 & 110.4	S22PK03
H 2	1	Outlet assembly B04		
H 3	1	Outlet assembly B22		
H 4	1	18/24 Black PVC Flexible Hose		
H 5	1	Union connector kit (DN20)		
H 6	1	Main drain standpipe H04		
H 7	1	Main drain sump side J14		
H 8	1	Emergency overflow standpipe K09		
H 9	1	Emergency overflow sump side L14		



ITEM	QTY	KIT	CODE
A	1	Tank M.X PEN 3620	S02GT43
B	1	Sump M.X PEN 3620	S02SP43
C	2	FELT 225 Micron -4"	850000451865
D	2	Filter Sock Silencer 4"	850000451933
E	1	Filter Sponge 213*90	S12FS19
F	1	LID-2608-C	810039390320
G	2	NZ 15-FRX	810039391174
I	1	Manifold 15 (OPTIONAL)	810039391969

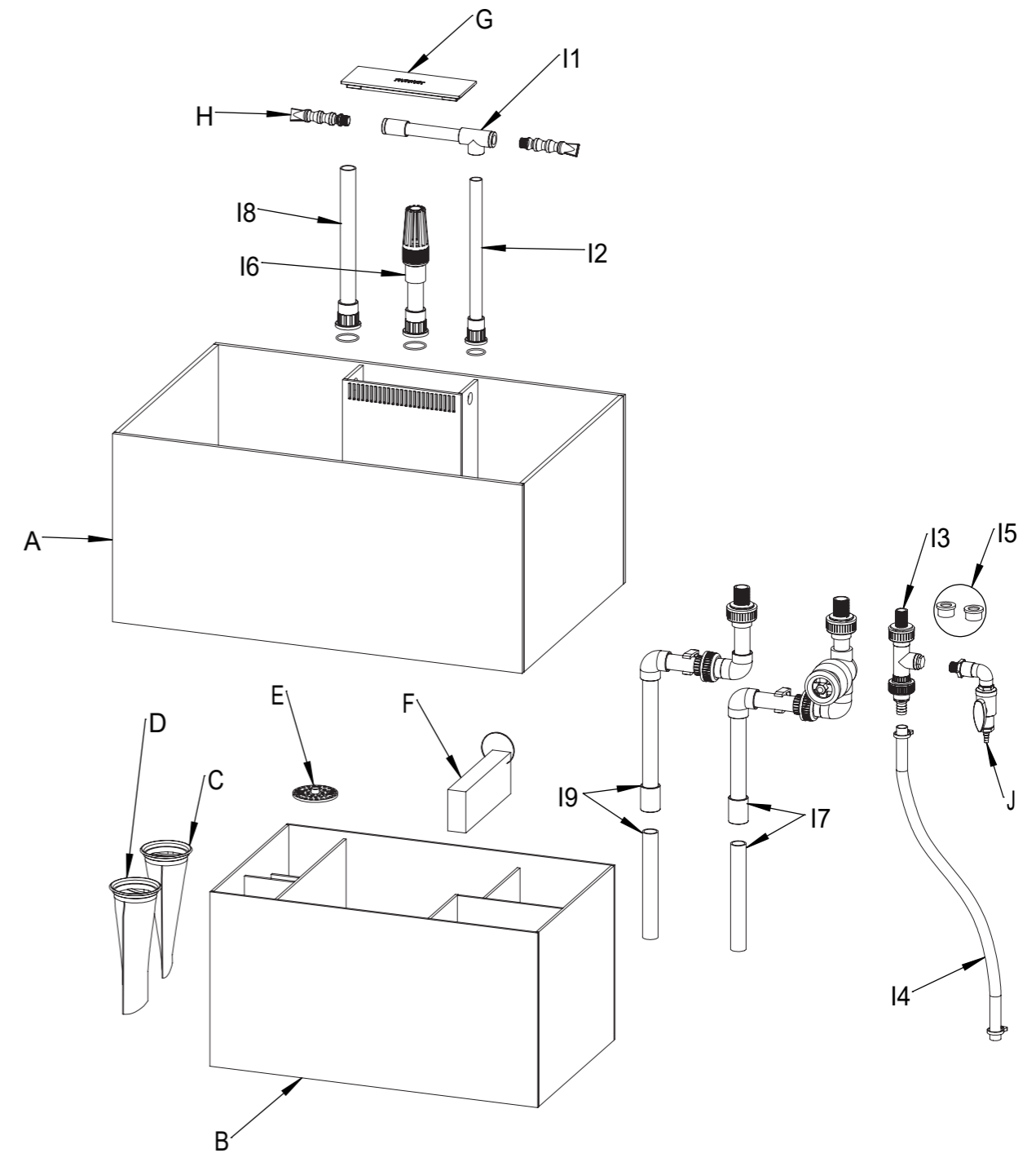
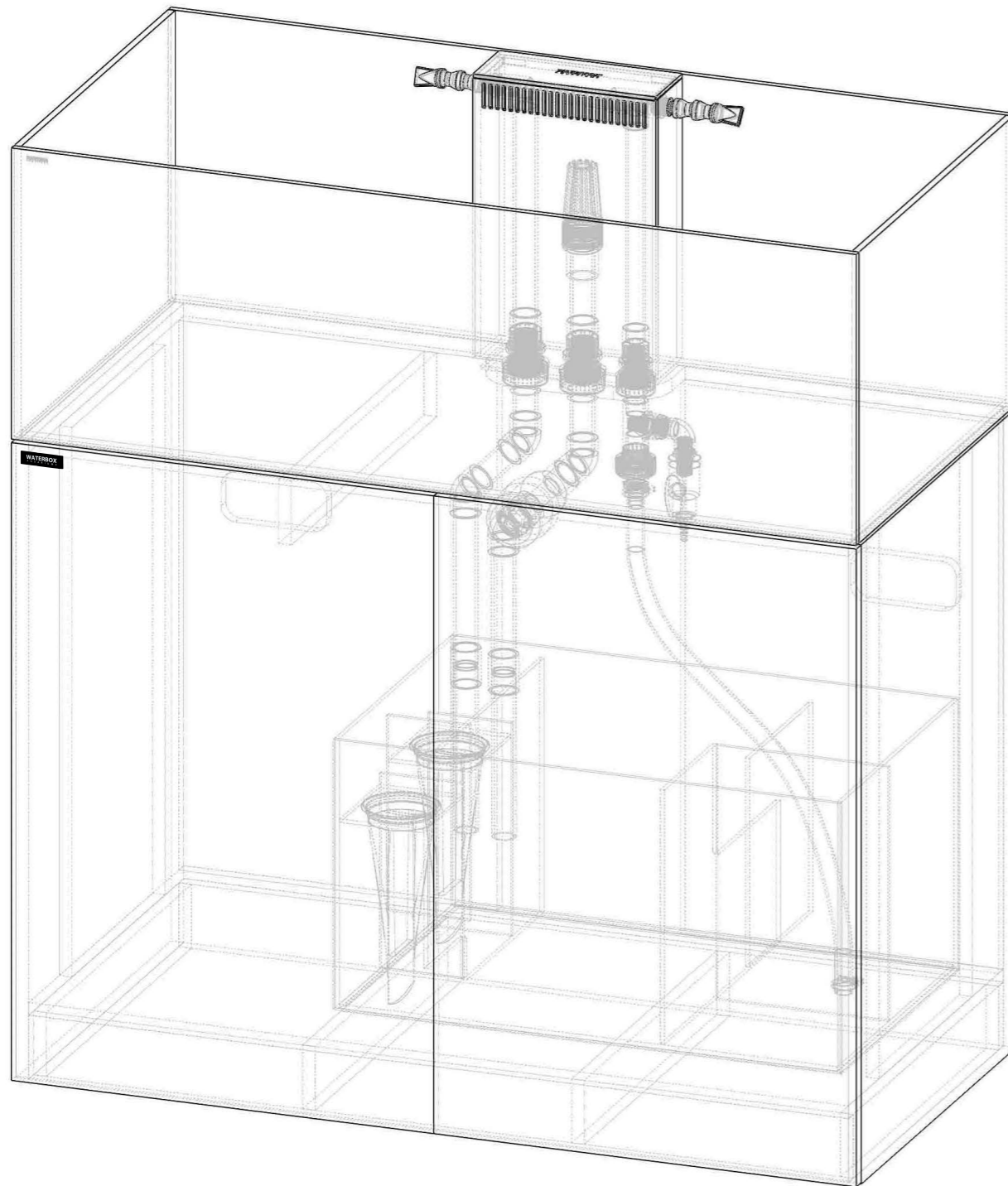
ITEM	QTY	DESCRIPTION	KIT	CODE
H 1	1	Outlet assembly A07	Plumbing Kit for M.X PEN 3620	S22PK43
H 2	1	Outlet assembly B04		
H 3	1	Outlet assembly B22		
H 4	1	18/24 Black PVC Flexible Hose		
H 5	1	Union connector kit (DN20)		
H 6	1	Main drain standpipe H04		
H 7	1	Main drain sump side J18		
H 8	1	Emergency overflow standpipe K04		
H 9	1	Emergency overflow sump side L18		



ITEM	QTY	KIT	CODE
A	1	Tank M.X PEN 4820	S02GT44
B	1	Sump M.X PEN 4820	S02SP44
C	2	FELT 225 Micron -4"	850000451865
D	2	Filter Sock Silencer 4"	850000451933
E	1	Filter Sponge 213*90	S12FS19
F	1	LID-2608-C	810039390320
G	2	NZ 15-FRX	810039391174
I	1	Manifold 15 (OPTIONAL)	810039391969

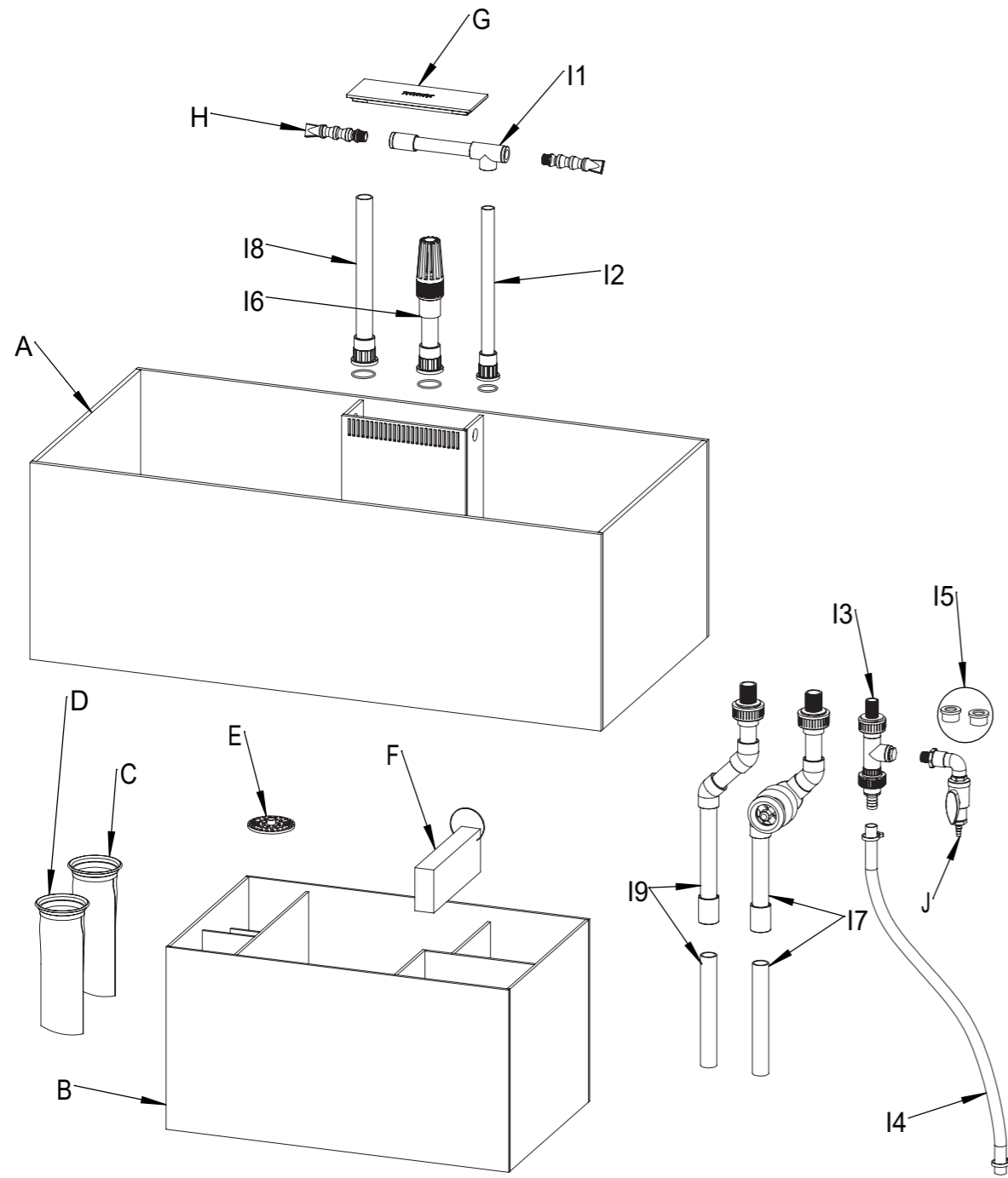
ITEM	QTY	DESCRIPTION	KIT	CODE
H 1	1	Outlet assembly A07	Plumbing Kit for M.X PEN 4820	S22PK44
H 2	1	Outlet assembly B04		
H 3	1	Outlet assembly B22		
H 4	1	18/24 Black PVC Flexible Hose		
H 5	1	Union connector kit (DN20)		
H 6	1	Main drain standpipe H04		
H 7	1	Main drain sump side J18		
H 8	1	Emergency overflow standpipe K04		
H 9	1	Emergency overflow sump side L18		





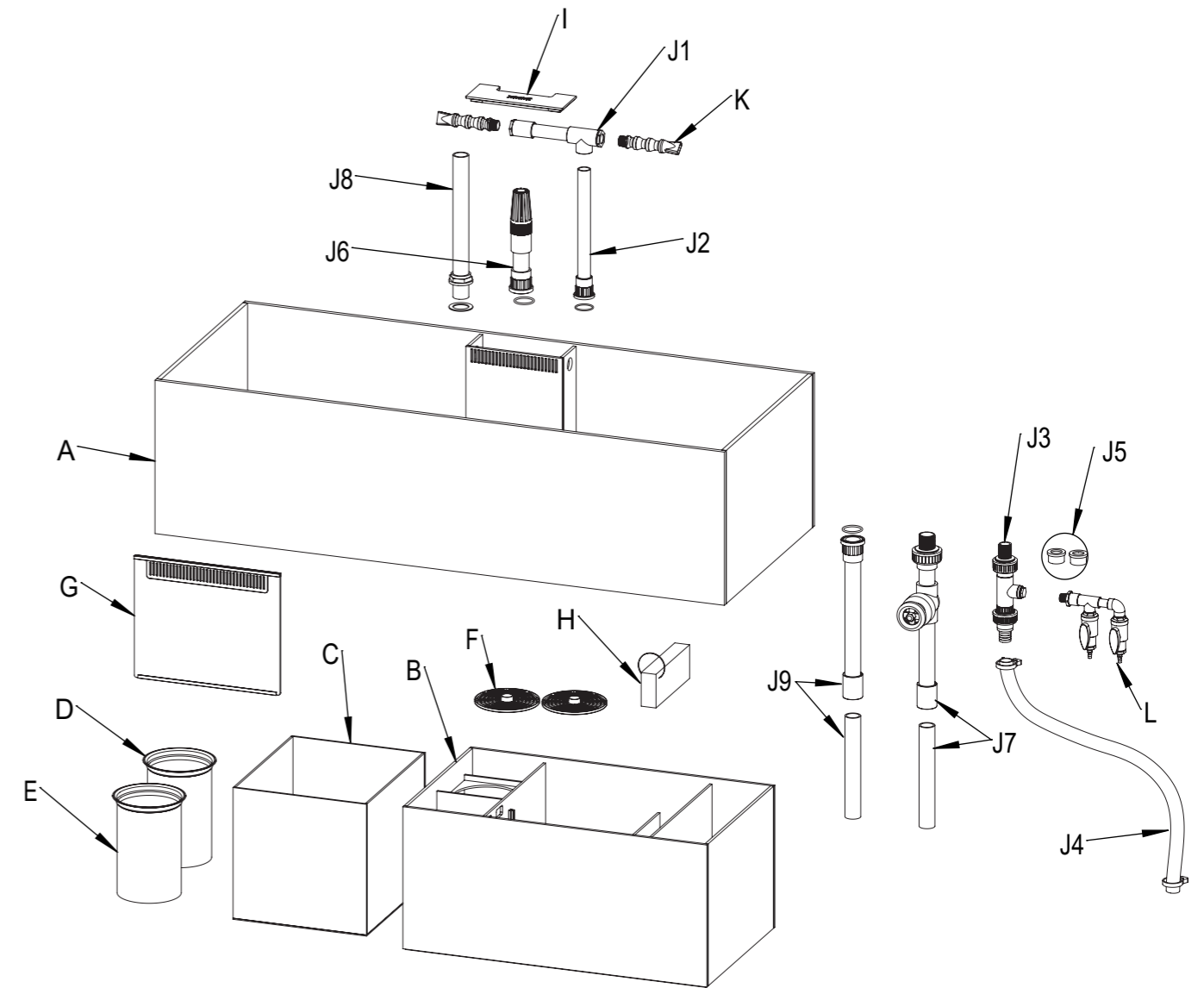
ITEM	QTY	KIT	CODE
A	1	Tank FRAG 85.3	S02GT12
B	1	Sump REEF 100.3/130.4/FRAG 85.3/105.4	S02SP12
C	1	MESH 225 Micron -4"	850000451889
D	1	FELT 225 Micron -4"	850000451865
E	1	Filter Sock Silencer 4"	850000451933
F	1	Filter Sponge 240*90	S12FS14
G	1	LID-2610	810039390306
H	2	NZ 15-FRX	810039391174
J	1	Manifold 15	810039391969

ITEM	QTY	DESCRIPTION	KIT	CODE
I1	1	Outlet assembly A07	Plumbing Kit for FRAG 85.3	S22PK12
I2	1	Outlet assembly B11		
I3	1	Outlet assembly B22		
I4	1	18/24 Black PVC Flexible Hose		
I5	1	Union connector kit (DN20)		
I6	1	Main drain standpipe H06		
I7	1	Main drain sump side J25		
I8	1	Emergency overflow standpipe K06		
I9	1	Emergency overflow sump side L24		



ITEM	QTY	KIT	CODE
A	1	Tank FRAG 105.4	S02GT13
B	1	Sump REEF 100.3/130.4/FRAG 85.3/105.4	S02SP12
C	1	MESH 225 Micron -4"	850000451889
D	1	FELT 225 Micron -4"	850000451865
E	1	Filter Sock Silencer 4"	850000451933
F	1	Filter Sponge 240*90	S12FS14
G	1	LID-2610	810039390306
H	2	NZ 15-FRX	810039391174
J	1	Manifold 15	810039391969

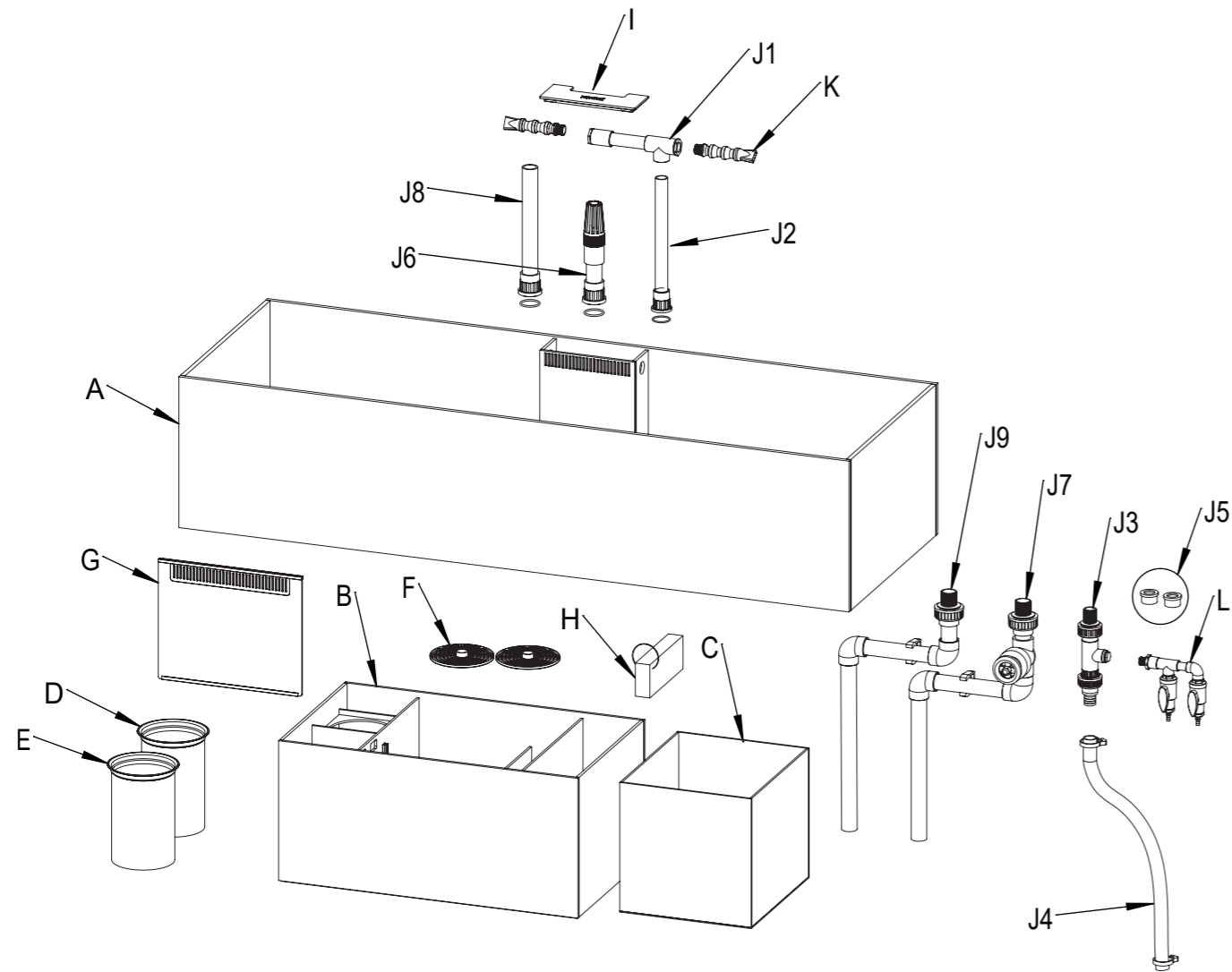
ITEM	QTY	DESCRIPTION	KIT	CODE
I1	1	Outlet assembly A07	Plumbing Kit for FRAG 105.4	S22PK13
I2	1	Outlet assembly B11		
I3	1	Outlet assembly B22		
I4	1	18/24 Black PVC Flexible Hose		
I5	1	Union connector kit (DN20)		
I6	1	Main drain standpipe H06		
I7	1	Main drain sump side J06		
I8	1	Emergency overflow standpipe K06		
I9	1	Emergency overflow sump side L07		



ITEM	QTY	KIT	CODE
A	1	Tank FRAG 145.5	S02GT14
B	1	Sump REEF 180.5/220.6/FRAG 145.5/165.6	S02SP13
C	1	ATO REEF 180.5/220.6/FRAG 145.5/165.6	S02AT24
D	1	MESH 225 Micron -7"	850000451858
E	1	FELT 225 Micron -7"	850000451834
F	2	Filter Sock Silencer 7"	810039391013
G	1	Refugium Baffle 397	S11ZG01
H	1	Filter Sponge 470*90	S12FS13
I	1	LID-2610-C	850000451247
K	2	NZ 20-FX	810039391181
L	1	Manifold 15D	810039391198

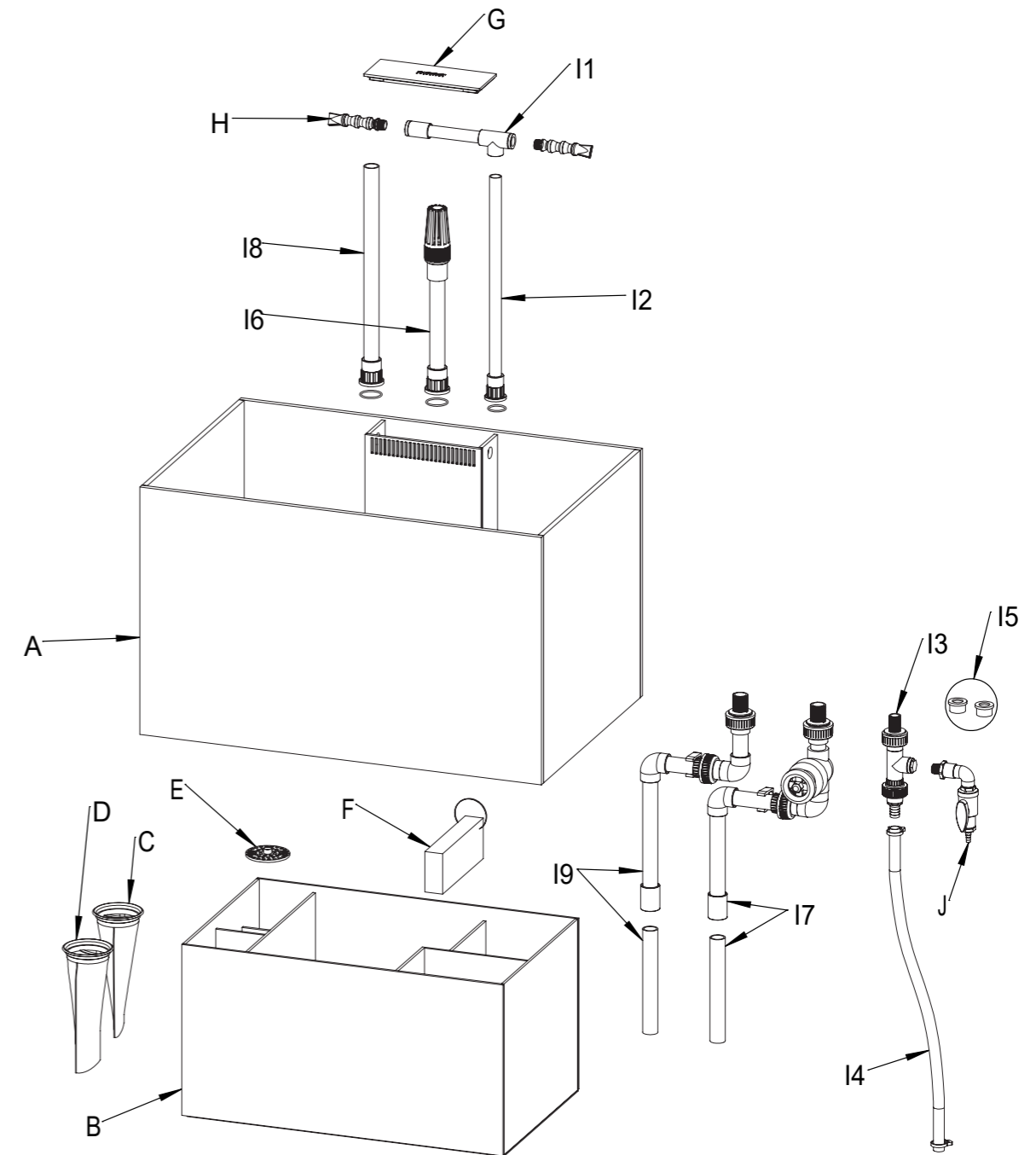
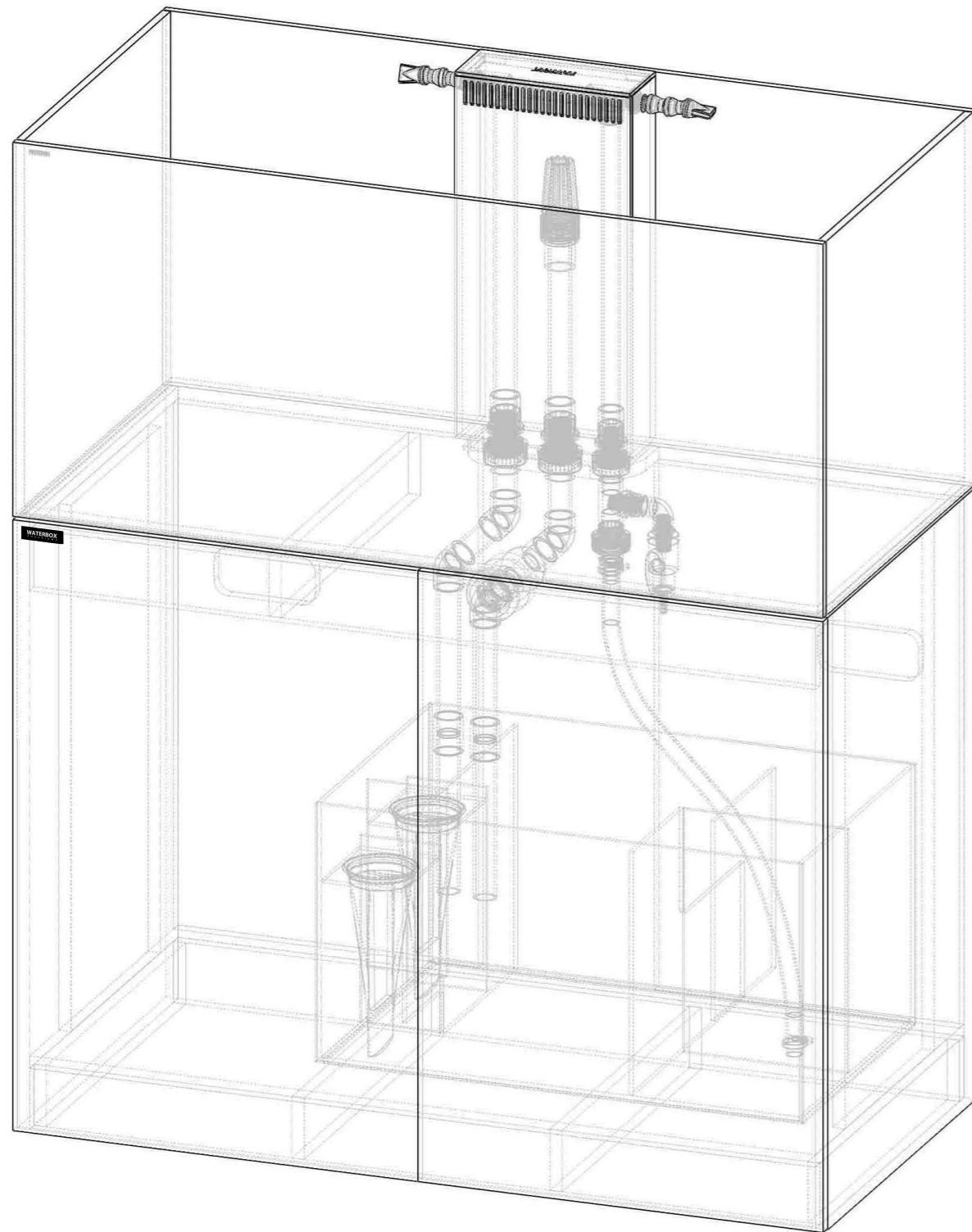
ITEM	QTY	DESCRIPTION	KIT	CODE
J1	1	Outlet assembly A13	Plumbing Kit for FRAG 145.5	S22PK14
J2	1	Outlet assembly B23		
J3	1	Outlet assembly sump side D09		
J4	1	28/34 Clear PVC Flexible Hose		
J5	1	Union connector kit (DN25)		
J6	1	Main drain standpipe H10		
J7	1	Main drain sump side J15		
J8	1	Emergency overflow standpipe K11		
J9	1	Emergency overflow sump side L15		





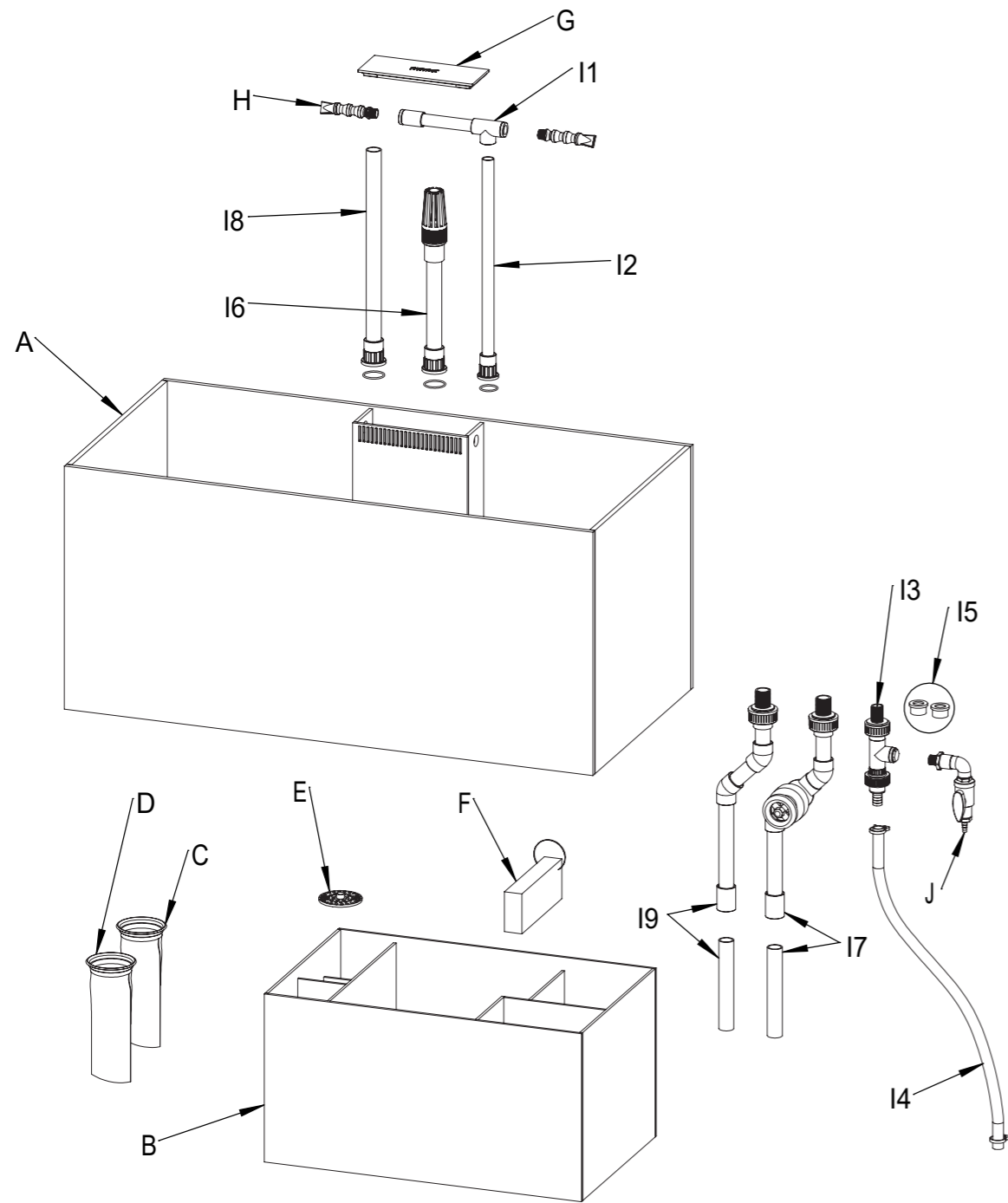
ITEM	QTY	KIT	CODE
A	1	Tank FRAG 165.6	S02GT15
B	1	Sump REEF 180.5/220.6/FRAG 145.5/165.6	S02SP13
C	1	ATO REEF 180.5/220.6/FRAG 145.5/165.6	S02AT24
D	1	MESH 225 Micron -7"	850000451858
E	1	FELT 225 Micron -7"	850000451834
F	2	Filter Sock Silencer 7"	810039391013
G	1	Refugium Baffle 397	S11ZG01
H	1	Filter Sponge 470*90	S12FS13
I	1	LID-2610-C	850000451247
K	2	NZ 20-FX	810039391181
L	1	Manifold 15D	810039391198

ITEM	QTY	DESCRIPTION	KIT	CODE
J 1	1	Outlet assembly A13	Plumbing Kit for FRAG 165.6	S22PK15
J 2	1	Outlet assembly B23		
J 3	1	Outlet assembly sump side D09		
J 4	1	28/34 Clear PVC Flexible Hose		
J 5	1	Union connector kit (DN25)		
J 6	1	Main drain standpipe H10		
J 7	1	Main drain sump side J09		
J 8	1	Emergency overflow standpipe K11		
J 9	1	Emergency overflow sump side L10		



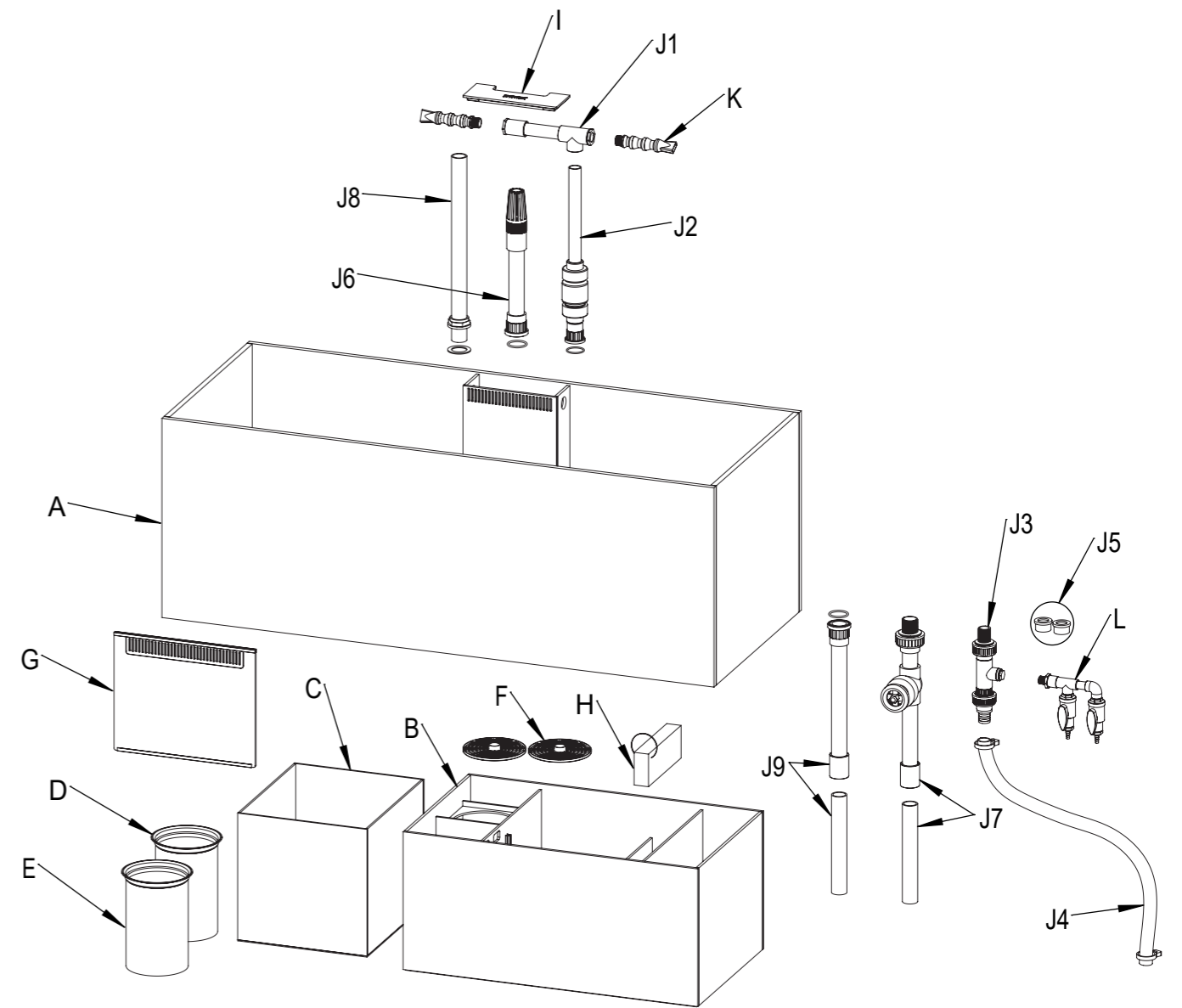
ITEM	QTY	KIT	CODE
A	1	Tank REEF 100.3	S02GT22
B	1	Sump REEF 100.3/130.4/FRAG 85.3/105.4	S02SP12
C	1	MESH 225 Micron -4"	850000451889
D	1	FELT 225 Micron -4"	850000451865
E	1	Filter Sock Silencer 4"	850000451933
F	1	Filter Sponge 240*90	S12FS14
G	1	LID-2610	810039390306
H	2	NZ 15-FRX	810039391174
J	1	Manifold 15	810039391969

ITEM	QTY	DESCRIPTION	KIT	CODE
I1	1	Outlet assembly A07	Plumbing Kit for REEF 100.3	S22PK22
I2	1	Outlet assembly B04		
I3	1	Outlet assembly B22		
I4	1	18/24 Black PVC Flexible Hose		
I5	1	Union connector kit (DN20)		
I6	1	Main drain standpipe H04		
I7	1	Main drain sump side J25		
I8	1	Emergency overflow standpipe K04		
I9	1	Emergency overflow sump side L24		



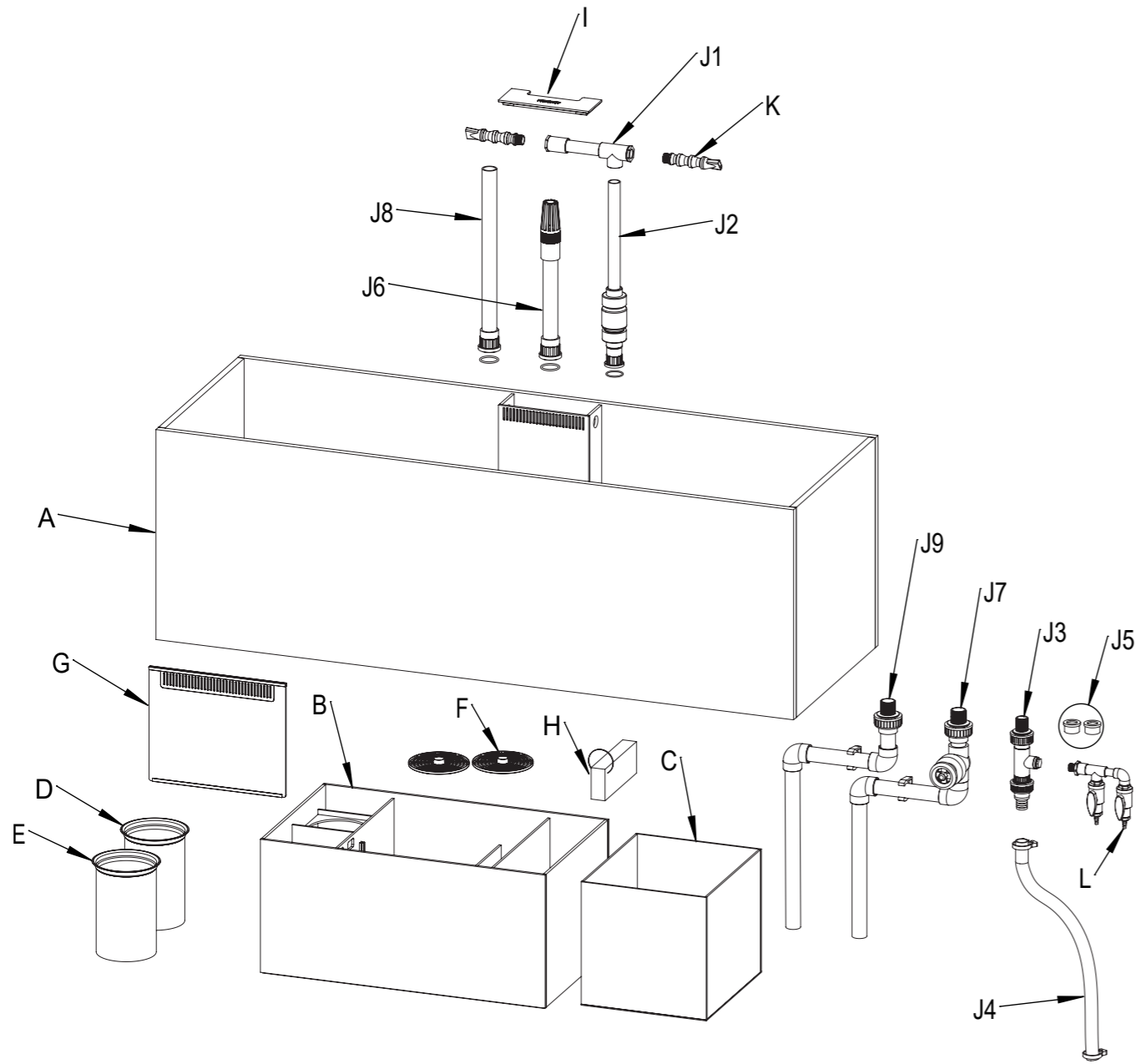
ITEM	QTY	KIT	CODE
A	1	Tank REEF 130.4	S02GT23
B	1	Sump REEF 100.3/130.4/FRAG 85.3/105.4	S02SP12
C	1	MESH 225 Micron -4"	850000451889
D	1	FELT 225 Micron -4"	850000451865
E	1	Filter Sock Silencer 4"	850000451933
F	1	Filter Sponge 240*90	S12FS14
G	1	LID-2610	810039390306
H	2	NZ 15-FRX	810039391174
J	1	Manifold 15	810039391969

ITEM	QTY	DESCRIPTION	KIT	CODE
I1	1	Outlet assembly A07	Plumbing Kit for REEF 130.4	S22PK23
I2	1	Outlet assembly B04		
I3	1	Outlet assembly B22		
I4	1	18/24 Black PVC Flexible Hose		
I5	1	Union connector kit (DN20)		
I6	1	Main drain standpipe H04		
I7	1	Main drain sump side J06		
I8	1	Emergency overflow standpipe K04		
I9	1	Emergency overflow sump side L07		



ITEM	QTY	KIT	CODE
A	1	Tank REEF 180.5	S02GT26
B	1	Sump REEF 180.5/220.6/FRAG 145.5/165.6	S02SP13
C	1	ATO REEF 180.5/220.6/FRAG 145.5/165.6	S02AT24
D	1	MESH 225 Micron -7"	850000451858
E	1	FELT 225 Micron -7"	850000451834
F	2	Filter Sock Silencer 7"	810039391013
G	1	Refugium Baffle 397	S11ZG01
H	1	Filter Sponge 470*90	S12FS13
I	1	LID-2610-C	850000451247
K	2	NZ 20-FX	810039391181
L	1	Manifold 15D	810039391198

ITEM	QTY	DESCRIPTION	KIT	CODE
J1	1	Outlet assembly A13	Plumbing Kit for REEF 180.5	S22PK26
J2	1	Outlet assembly B15		
J3	1	Outlet assembly sump side D09		
J4	1	28/34 Clear PVC Flexible Hose		
J5	1	Union connector kit (DN25)		
J6	1	Main drain standpipe H12		
J7	1	Main drain sump side J15		
J8	1	Emergency overflow standpipe K12		
J9	1	Emergency overflow sump side L15		



ITEM	QTY	KIT	CODE
A	1	Tank REEF 220.6	S02GT27
B	1	Sump REEF 180.5/220.6/FRAG 145.5/165.6	S02SP13
C	1	ATO REEF 180.5/220.6/FRAG 145.5/165.6	S02AT24
D	1	MESH 225 Micron -7"	850000451858
E	1	FELT 225 Micron -7"	850000451834
F	2	Filter Sock Silencer 7"	810039391013
G	1	Refugium Baffle 397	S11ZG01
H	1	Filter Sponge 470*90	S12FS13
I	1	LID-2610-C	850000451247
K	2	NZ 20-FX	810039391181
L	1	Manifold 15D	810039391198

ITEM	QTY	DESCRIPTION	KIT	CODE
J 1	1	Outlet assembly A13	Plumbing Kit for REEF 220.6	S22PK27
J 2	1	Outlet assembly B16		
J 3	1	Outlet assembly sump side D09		
J 4	1	28/34 Clear PVC Flexible Hose		
J 5	1	Union connector kit (DN25)		
J 6	1	Main drain standpipe H11		
J 7	1	Main drain sump side J09		
J 8	1	Emergency overflow standpipe K13		
J 9	1	Emergency overflow sump side L10		